

PLEASE CHECK WWW.MOLEX.COM FOR LATEST PART INFORMATION

Part Number: [0475860008](#)
Status: **Active**
Description: Stainless Steel Extractor for Camera Socket, 6.5x6.5 Type, Lead free

Documents:
[Drawing \(PDF\)](#) [RoHS Certificate of Compliance \(PDF\)](#)

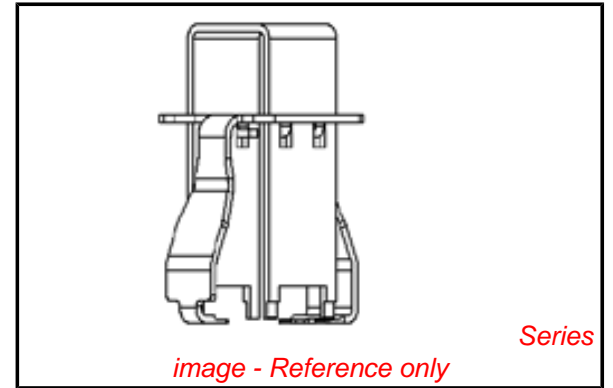
General

Product Family	Application Tooling
Series	47586
Function	Extraction
Geographic Area	Asia
Level of Automation	Manual
Product Name	N/A
Tool Type	Handtool

Material Info

Reference - Drawing Numbers

Sales Drawing	SD-47586-008
---------------	--------------



EU RoHS

**ELV and RoHS
Compliant**
**REACH SVHC
Not Reviewed**
**Halogen-Free
Status**

China RoHS



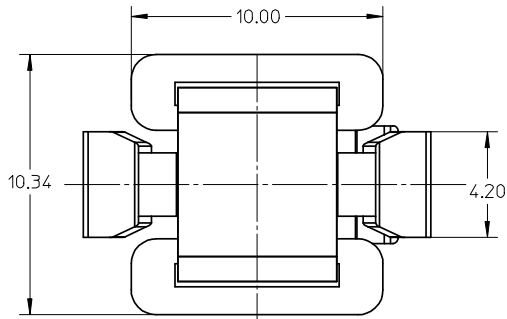
**Need more information on product
environmental compliance?**

Email productcompliance@molex.com
 For a multiple part number RoHS Certificate of
 Compliance, [click here](#)

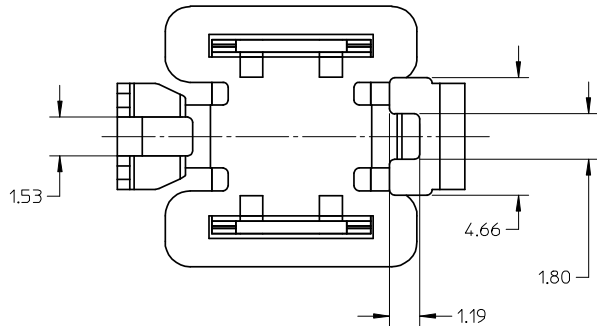
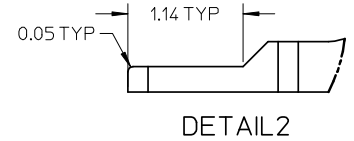
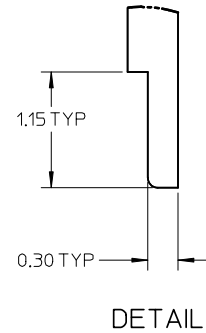
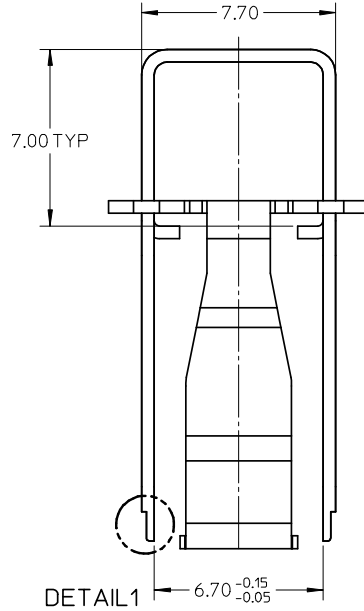
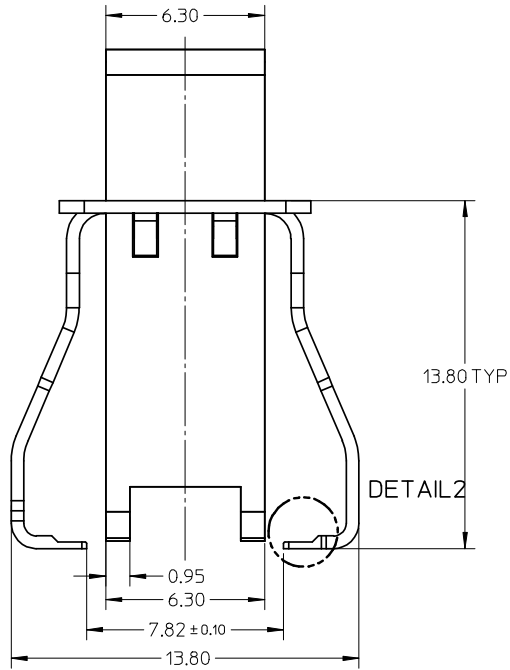
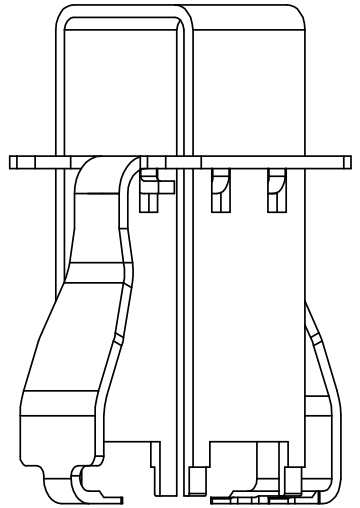
Please visit the [Contact Us](#) section for any
 non-product compliance questions.

Search Parts in this Series
[47586Series](#)

10 9 8 7 6 5 4 3 2 1



- NOTES:
 1. MATERIAL:
 STAINLESS STEEL 304 THICKNESS 0.5MM
 2. FINISH:
 NON-PLATING
 3. COMPLIANT TO RoHS DIRECTIVE 200/95/EC AND ELV 2000/53/EC



NEW RELEASE EC NO: SH2008-0421 DRWN: MSH CHKD: YLZHU APPR: HWWANG 2008/02/22 2008/03/20	QUALITY SYMBOLS ▽=0 ◻=0	GENERAL TOLERANCES (UNLESS SPECIFIED)		DIMENSION STYLE MM ONLY	SCALE 8:1	DESIGN UNITS METRIC	THIRD ANGLE PROJECTION	
		4 PLACES ± --- ± --- 3 PLACES ± --- ± --- 2 PLACES ± 0.15 ± --- 1 PLACE ± --- ± ---	mm INCH	DRAWN BY DATE MSH 2007/08/27	TITLE EXTRACTOR FOR CAMERA SOCKET 6.5X6.5 TYPE			
		ANGULAR ± 2 °		CHECKED BY DATE YLZHU 2007/10/31	MOLEX INCORPORATED			
		DRAFT WHERE APPLICABLE MUST REMAIN WITHIN DIMENSIONS		APPROVED BY DATE HWWANG 2007/10/31	MATERIAL NO. 475860008	DOCUMENT NO. SD-47586-008	SHEET NO. 1 OF 1	
				SIZE A3	THIS DRAWING CONTAINS INFORMATION THAT IS PROPRIETARY TO MOLEX INCORPORATED AND SHOULD NOT BE USED WITHOUT WRITTEN PERMISSION			

9 8 7 6 5 4 3 2 1